



# CARRYING HANDLE 2018

Simple fastening, good quality,  
in various sizes

# 1 Carrying handle



## ■ PIPE - CARRYING HANDLE

### Material:

Holder material: PC - ABS  
black

Holder height: 55 mm

Handle material: Aluminium eloxed  
Silver matt

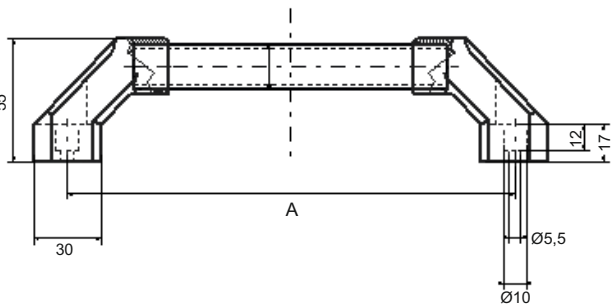
Handle diameter: Ø 20 mm

Weight: ca. 110 g

### Order Data

Art. No.	A mm	Length blank cut mm	
BYT3272.000	200	140	Standard measurements for Delta 2 and Delta 4
BYT3272.001	135	75	shortest measurements
BYT3272.002	150	90	
BYT3272.003	300	240	

■ Other sizes or blank cuts gladly on request!



## ■ DEVICE - CARRYING HANDLE

Flexible carrying handle (6-part) optimal for small devices.  
Supporting components with steel spring-inserts and nickel-plated end pieces.

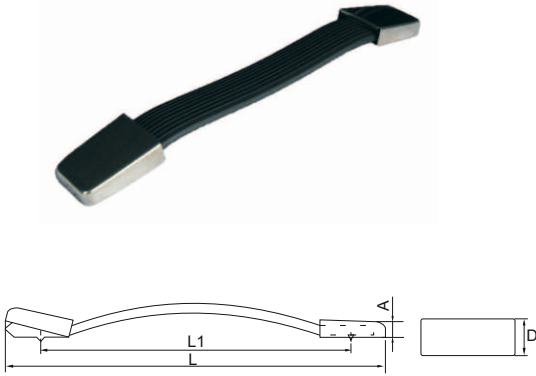
### Material:

Holder material: soft plastic  
black  
Capacity: 300 N  
Drilling distance: 156 mm

Weight: 27 g

### Order Data

Art. No.	L mm	L1 mm	D mm	A mm
BHT3271.003	190	156	23	8



## ■ BRIDGE HANDLE

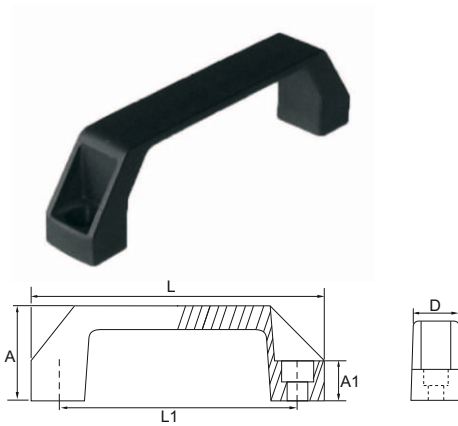
### Material:

Holder material: Nylon  
matt surface, black  
Drilling distance: 117 mm

Weight: 39 g

### Order Data

Art. No.	Drilling mm	L mm	L1 mm	D mm	A mm	A1 mm
BHT3271.004	8	134	117	26	41	15



## ■ BOW HANDLE

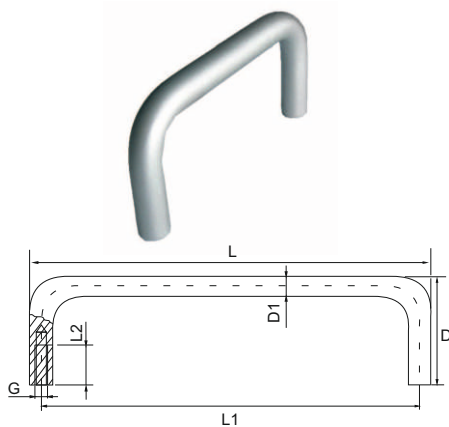
### Material:

Holder material: Aluminium eloxed  
Silver matt  
Capacity: 750 N  
Drilling distance: 90 mm

Weight: 17 g

### Order Data

Art. No.	Drilling Internal Thread	L mm	L1 mm	L2 mm	D mm	D1 mm
BHT3271.005	M5	100	88	13	50	11



## ■ CONTACT

If you have any questions or need further information, do not hesitate to contact us:

Metzger Technik GmbH & Co. KG  
Bertha-Benz-Straße 1  
D - 71665 Vaihingen a. d. Enz

Tel. +49 (0) 7042 / 81518 - 0  
Fax +49 (0) 7042 / 81518 - 80

Mail: [info@metzger-technik.de](mailto:info@metzger-technik.de)



