



PRESSURE TANKS 2018

Pressure reservoir & Water reservoir



VACUUM - PRESSURE TANK made of aluminium - is very suitable for use in vacuum and pressure reservoir. You can order the tank fully assembled and pre-finished to your needs.

ADVANTAGES: low weight, cost-effective solution, pre-assemble products to meet customer requirements.

■ PRESSURE - VACUUM TANK

Material

Housing material:
Cover material:

bright aluminium
POM black

Technical Data

Vacuum: up to -990 bar (99%) (20°C)
 Pressure: max. 6 bar (20°C)
 Testing pressure: 10 bar (20°C)
 Temperature resistance: -10°C up to +50°C
 Medium: Air
 Connection: 1/8", 1/4", 3/8", closed thread

STANDARD TANK:

Order Data

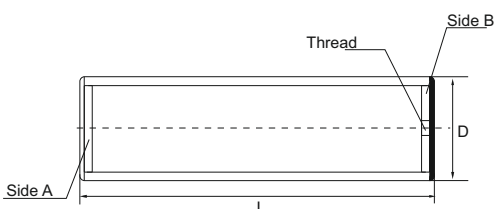
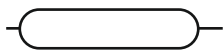
Art. No.	L mm	Side A	Side B	D mm	Volume ml	Weight g
LYB0000.108	130,0	1/8"	closed	40,0	110	150
LYB0500.001	180,0	1/8"	closed	70,0	560	410
LYB0500.CC1	180,0	3/8"	3/8"	70,0	560	410

■ Other connections and lengths gladly on request!

VARIABLE ACCESSORIES:

FASTENING:
Spring-steel clamp

HOSE CONNECTION:
 Tube connector made of plastic
 Tube connector made of brass
 Miniature hose connector



PLASTIC CONTAINER consisting of two parts: an unscrewable cover with thread and a transparent bottom. Bottom and cover are sealed by a O-Ring, this means the parts can as often as desired disassembled.

The cover plates are provide with two inner threads.
Two versions are offered: **with** or **without** relief valve

ATTENTION: Pressure relief valve not suitable for vacuum!

APPLICATION: Pressure reservoir, water reservoir, air intake for vakuumpumps (with filter elements)

■ PRESSURE - VACUUM TANK



Material

Material Sump: SAN transparent
Material Cover plate: Polypropylene blue
Material seal: NBR

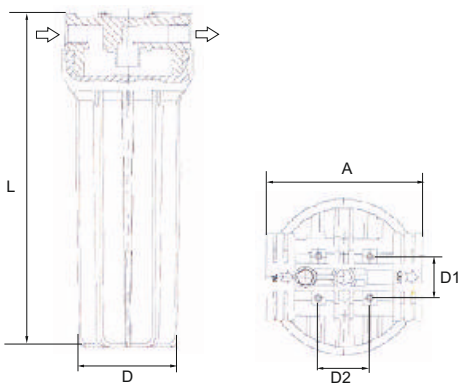
Technical Data

Pressure: at 20°C max. 8 bar
Temperature resistance: max. 50°C at 3 bar
Medium: Air, water

Weight: 170g

Order Data:

Art. No. with relief valve	Art. No. without relief valve	Thread	L mm	D mm	A mm	D1 mm	D2 mm	Volume ml
LHF9050.C10	LHF9050.C00	3/8"	175,0	90,0	122,0	32,0	40,0	500
	LHF9100.D00	1/2"	294,0	90,0	122,0	32,0	40,0	1000



VARIABLE ACCESORIES:



Mounting bracket aluminium sheet
2mm eloxed
Artikel-No. GFA9210.001



Filter candle for ump 500ml
Artikel-No. LHF9050.0010
Filter candle for sump 1000ml
Artikel-No. LHF9100.001

The **PRESSURE - VACUUM TANK** is suitable as reservoir. One end is sealed with a plug with sealing (solvable)
The tank can fixed directly on the straps.

■ PRESSURE - VACUUM TANK

Material

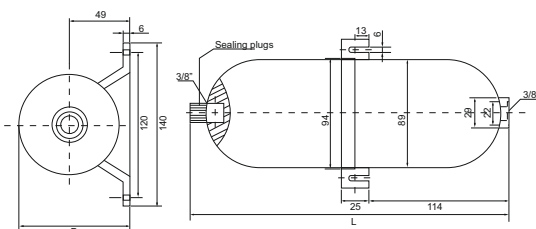
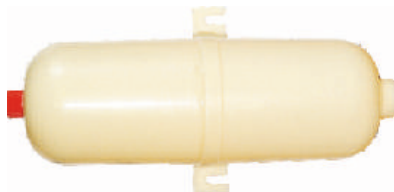
Material Tank: ABS

Technical Data

Permissible operating pressure: 5 bar
Permissible operating temperature: 60°C
Medium: Air, Water

Order Data

Art. No.	Thread IG	L mm	D mm	Volume ml	Weight g
LHB0921.001	2 x 3/8"	271,0	98,0	1000	280



3 Pressure tank

VACUUM - PRESSURE TANK made of steel sheet - is very suitable for use in vacuum and pressure reservoir. High quality by surface protection inside and outside.

CONVINCING ADVANTAGES:

- Prototype tested
- High quality / material
- Cost-effective solution
- Ready-to-install solution



■ VACUUM - PRESSURE TANK

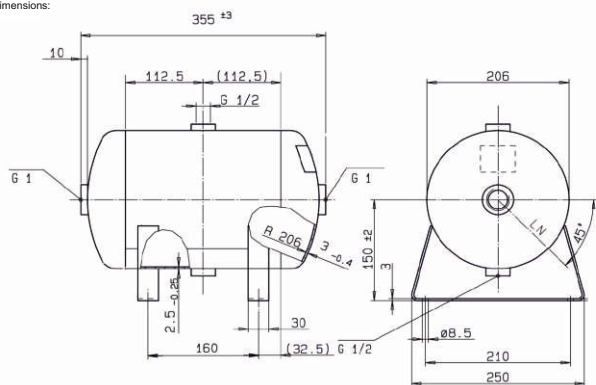
Material

Housing material: Steel sheet
 Colour: RAL 9005 black
 Surface inside/outside: treated, baking enamel, zinc phosphate
 Application: stationary constructions

Technical Data

Vacuum max: -990 mbar (99%) (20°C)
 Pressure max: 11 bar
 Medium: Air (Pressure/Vacuum), Nitrogen
 Temperature resistance: -10 °C bis 50°C

Dimensions:

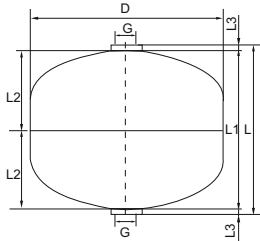


Order Data

Art. No.	Side 1 Side 2	Cladding 2 pcs	L mm	D mm	Volume L	Weight kg
LHB0010.002	1"	1/2"	355	206	10	6,9



■ PRESSURE RESERVOIR MADE OF STAINLESS STEEL



APPLICATION AREA: Pressure - vacuum tank is suitable as reservoir.

Material

Material: bright stainless steel

Technical Data

max. operating pressure: 10 bar
 Testing pressure: 20 bar
 Medium: Air
 Temperature resistance: -10°C up to +50°C
 Connection: 2

Order Data

Art. No.	Thread IG	L mm	L1 mm	L2 mm	L3 mm	D mm	Volume Liter
LHB0005.003	1/2"	186,0	171,0	93,5	8,0	210,0	4,3

■ Other sizes available upon request!

■ PRESSURE RESERVOIR MADE OF STEEL

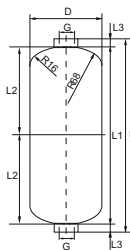
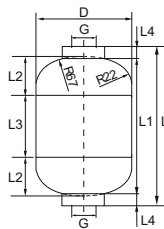
APPLICATION AREA: Pressure - vacuum tank is suitable as reservoir.

Material

Material: Steel
 Surface: powder-coated blue

Technical Data

Pressure: 11 bar
 Vacuum: up to -980 mbar
 Testing pressure: 16,5 bar
 Medium: Air
 Temperature resistance: -10°C up to +60°C
 Connection: 2



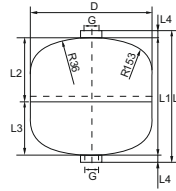
Order Data

Art. Nr.	Thread IG	L mm	L1 mm	L2 mm	L3 mm	L4 mm	D mm	Volume ml
LHB0000.001	1/2"	130,0	112,0	33,0	50,0	9,0	80,0	500

Bestelldaten

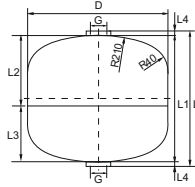
Art. Nr.	Gewinde IG	L mm	L1 mm	L2 mm	L3 mm	D mm	Volumen Liter
LHB0001.001	1/2"	225,0	205,0	104,0	10,0	85,0	1

5 Pressure tank



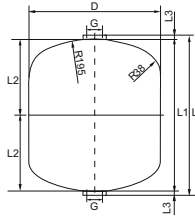
Order Data

Art. No.	Thread IG	L mm	L1 mm	L2 mm	L3 mm	L4 mm	D mm	Volume Liter
LHB0002.001	1/2"	170,0	150,0	86,5	66,5	10,0	160,0	2



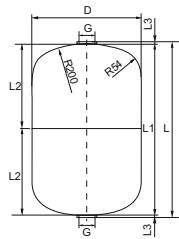
Order Data

Art. No.	Thread IG	L mm	L1 mm	L2 mm	L3 mm	L4 mm	D mm	Volume Liter
LHB0005.002	1/2"	184,0	176,0	100,0	79,0	4,0	210,0	5



Order Data

Art. No.	Thread IG	L mm	L1 mm	L2 mm	L3 mm	D mm	Volume Liter
LHB0007.001	1/2"	240,0	230,0	116,0	5,0	210,0	7



Order Data

Art. No.	Thread IG	L mm	L1 mm	L2 mm	L3 mm	D mm	Volume Liter
LHB0012.001	1/2"	365,0	357,0	180,0	4,0	229,0	12



CONTACT

If you have any questions or need further information do not hesitate to contact us:

Metzger Technik GmbH & Co. KG
Bertha-Benz-Straße 1
D - 71665 Vaihingen a. d. Enz

Tel. +49 (0) 7042 / 81518 - 0
Fax +49 (0) 7042 / 81518 - 80

Mail: info@metzger-technik.de

