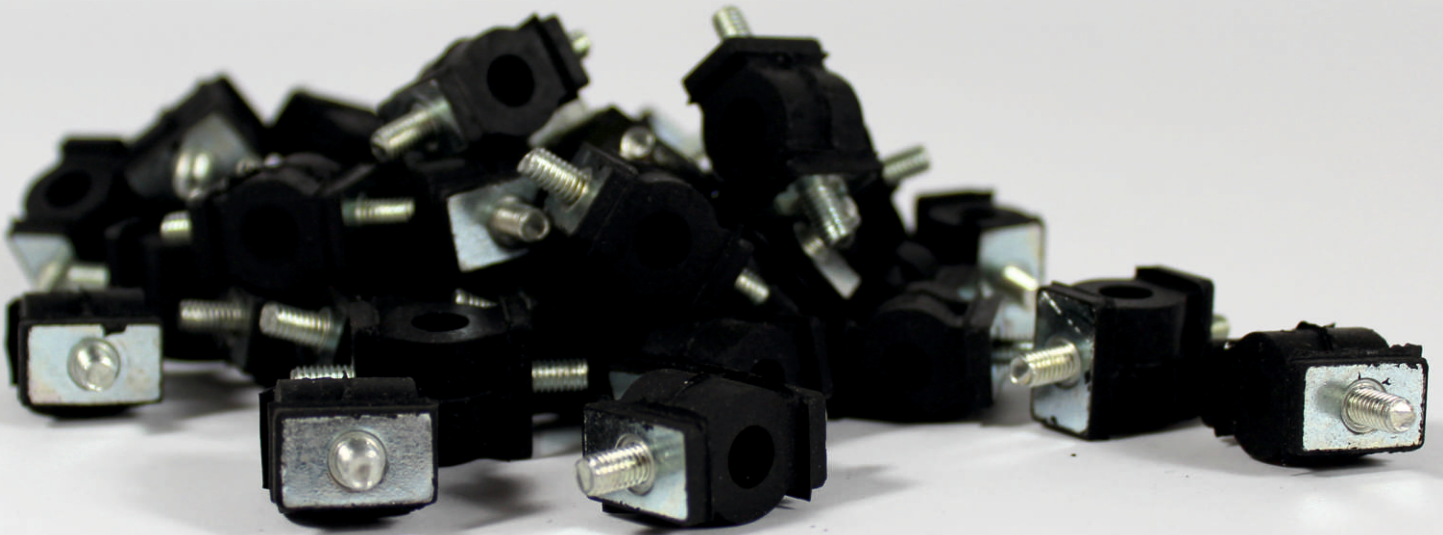




# RUBBER-BONDED METAL 2018

O-Form bearing and various rubber-metal buffers



**O-FORM BEARINGS** or **RUBBER-BONDED** are excellently to mounting small pumps also engines or other components transfer noises or vibrations on the housing.  
The parts also become application as a adjustable feet in the apparatus engineering or as spaces.

## ■ O - FORM BEARING

### Material

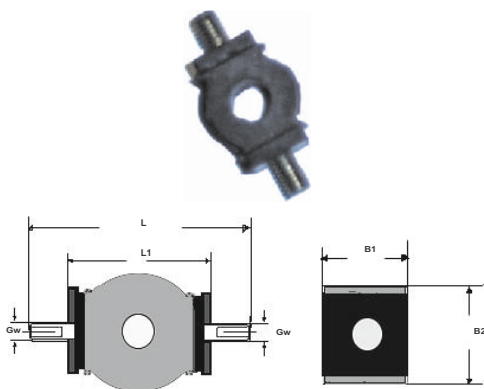
Steel material: steel with external thread - double sided  
Rubber material: black approx. 30° and 60° Shore

### Technical Data

Optimal vibration and noise reduction

### Order Data

Art. No.	L mm	L1 mm	B1 mm	B2 mm	Thread
BHT1000.001	29,5	17,6	14	15	2xM4 AG 6mm
BHT1000.002	29,5	17,6	14	15	2xM4 AG 6mm



## ■ RUBBER - METAL - BUFFER TYP B

### Material

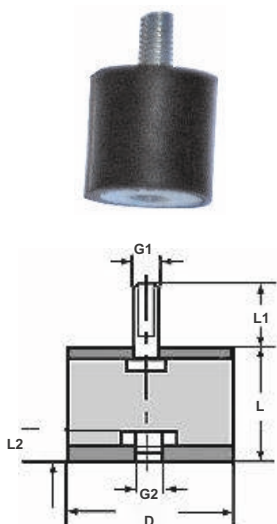
Steel material: steel  
Rubber material: black 55° Shore (Other shore hardnesses possible upon request)

### Construction

There is a threaded bolt and external thread on one side and a internal thread on the other side.  
(Other sizes possible upon request)

### Order Data

Art. No.	D mm	L mm	Gw1 Metric	L1 mm	Gw2 Metric	L2 mm	Shore
BHT1010.004	10	10	M4	11	M4	5	55°
BHT1515.004	15	15	M4	11	M4	5	55°
BHT1520.004	15	20	M4	11	M4	5	55°
BHT2015.B06	20	15	M4	18	M6	7	55°
BHT2020.B06	20	20	M4	18	M6	7	55°
BHT2025.B06	20	25	M4	18	M6	7	55°
BHT2520.B06	25	20	M4	18	M6	7	55°
BHT4025.002	40	25	M8	23	M8	10	55°



## RUBBER - METAL - BUFFER TYP E

### Material

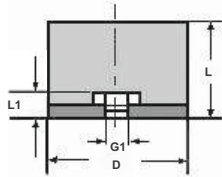
Steel material: steel  
 Rubber material: black 65° Shore (Other shore hardnesses possible upon request)

### Technical Data

There is a threaded bolt and external thread on one side and a internal thread on the other side.  
 (Other sizes possible upon request)

### Order Data

Art. No.	D mm	L mm	G1 Metric	L1 mm	G2 Metric	L2 mm	Shore
BHT1515.E04	15	15	M4	5	-	-	55°
BHT2030.004	20	30	M6	7	-	-	55°
BHT2530.004	25	30	M6	7	-	-	65°



## RUBBER - METAL - BUFFER TYP D

### Material

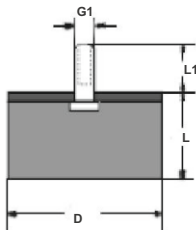
Steel material: steel  
 Rubber material: black 65° Shore (Other shore hardnesses possible upon request)

### Technical Data

There is a threaded bolt and external thread on one side and a internal thread on the other side.  
 (Other sizes possible upon request)

### Order Data

Art. No.	D mm	L mm	G1 Metric	L1 mm	Shore
BHT1010.D02	10	10	M4	11	55°
BHT1515.D02	15	15	M4	11	55°
BHT2008.D02	20	8	M6	18	55°
BHT2015.002	20	15	M6	18	55°
BHT2025.D02	20	25	M6	18	55°
BHT2030.D02	20	30	M6	18	55°
BHT2530.D06	25	30	M6	18	55°



## RUBBER - METAL - BUFFER TYP A

### Material

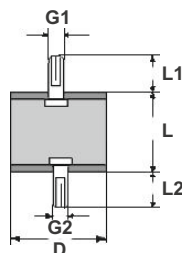
Steel material: steel  
 Rubber material: black 55° Shore (Other shore hardnesses possible upon request)

### Technical Data

Both sides with threaded bolt and external thread.  
 (Other sizes possible upon request)

### Order Data

Art. No.	D mm	L mm	G1 Metric	L1 mm	G2 Metric	L2 mm	Shore
BHT1515.A01	15	15	M4	11	M4	11	55°
BHT1520.A01	15	20	M4	11	M4	11	55°
BHT2020.001	20	20	M6	18	M6	18	55°
BHT2030.A01	20	30	M6	18	M6	18	55°



## CONTACT

If you have any questions or need further information, do not hesitate to contact us:

Metzger Technik GmbH & Co. KG  
 Bertha-Benz-Straße 1  
 D - 71665 Vaihingen a. d. Enz

Tel. +49 (0) 7042 / 81518 - 0  
 Fax +49 (0) 7042 / 81518 - 80

Mail: [info@metzger-technik.de](mailto:info@metzger-technik.de)



